

# High Performance ASIC Cooling Solutions w/Thermal Tape Attachment\*

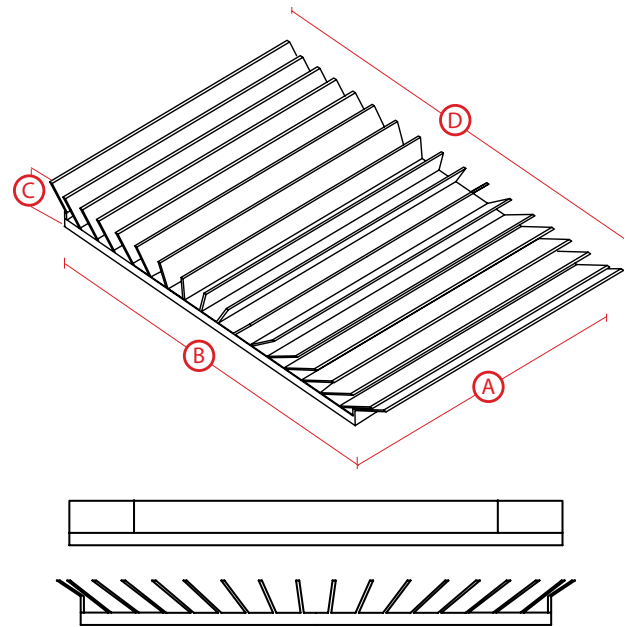
DIGI-KEY PART # ATS1354-ND

ATS PART # ATS-56009-C4-R0

## Features & Benefits

maxiFLOW™ design features a low profile, spread fin array that maximizes surface area for more effective convection (air) cooling

Designed specifically for ASIC package and their unique cooling requirements



## Thermal Performance Table

AIR VELOCITY		THERMAL RESISTANCE	
FT/MIN	M/S	°C/W (UNDUCTED)	°C/W (DUCTED)
200	1.0	4.8	2.4
300	1.5	3.9	
400	2.0	3.1	
500	2.5	2.7	
600	3.0	2.4	
700	3.5	2.3	
800	4.0	2.2	

## Product Details†

DIMENSION A	DIMENSION B	DIMENSION C <sup>§</sup>	DIMENSION D	TIM <sup>‡</sup>	FINISH
58	30	9	44.3	NO TIM	BLACK-ANODIZED

For further technical information, please contact Advanced Thermal Solutions, Inc. at **1-781-769-2800** or **www.qats.com**

\* RoHS Compliant

‡ TIM = Thermal Interface Material

† Dimensions are measured in millimeters

§ Dimension C = the height of the heat sink shown above and does not include the height of the attachment method



**ATS** ADVANCED THERMAL SOLUTIONS, INC.

Innovations in Thermal Management®



To place an order, please visit **www.digikey.com**